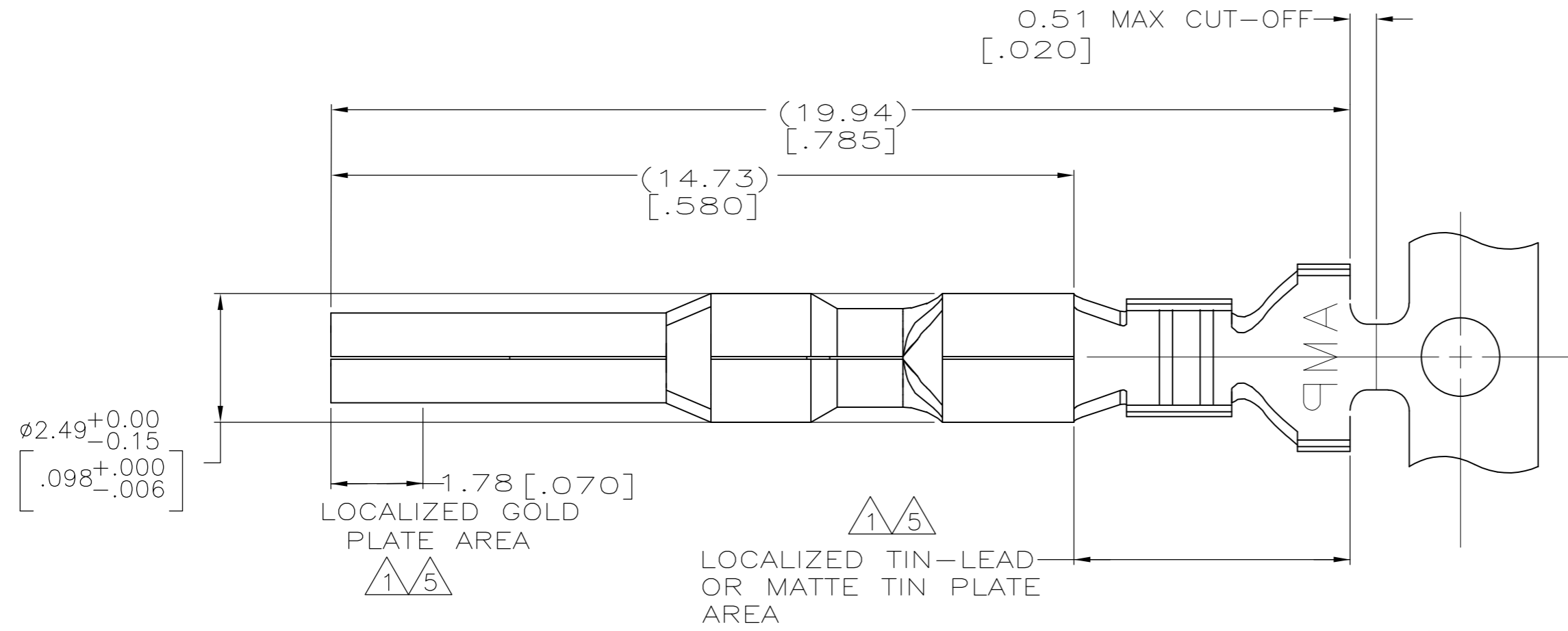
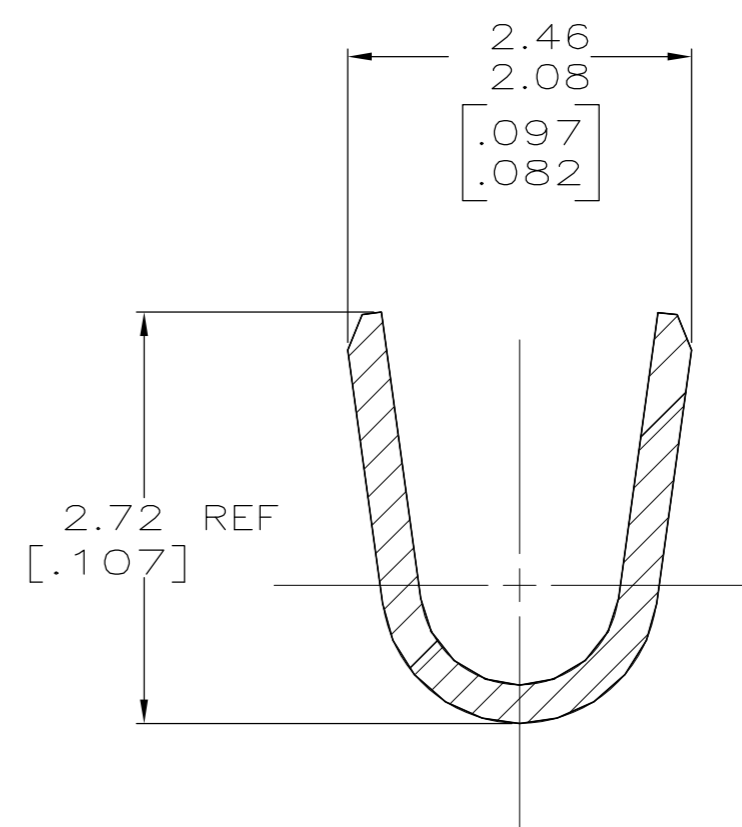
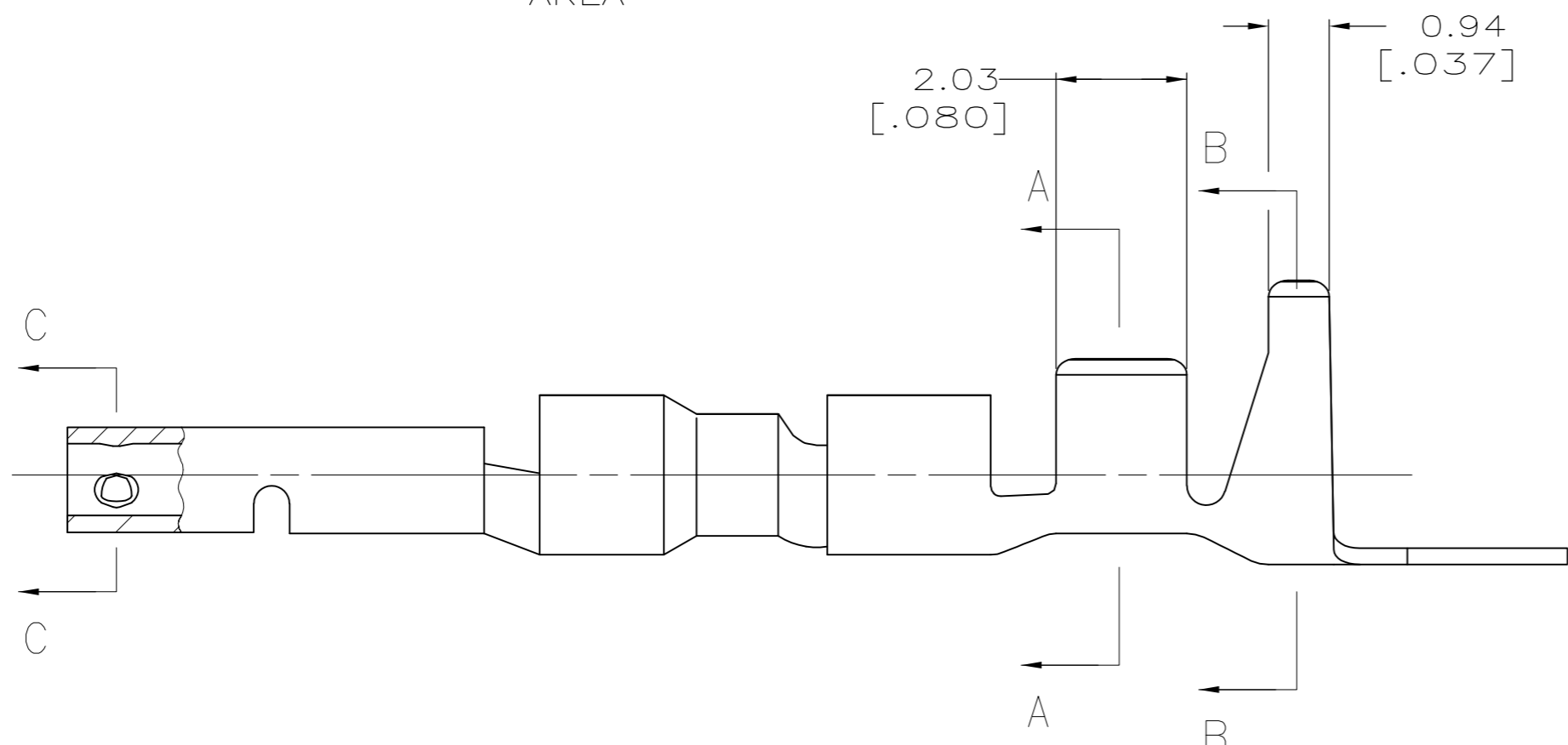


THIS DRAWING IS UNPUBLISHED. RELEASED FOR PUBLICATION
 © COPYRIGHT - By - ALL RIGHTS RESERVED.

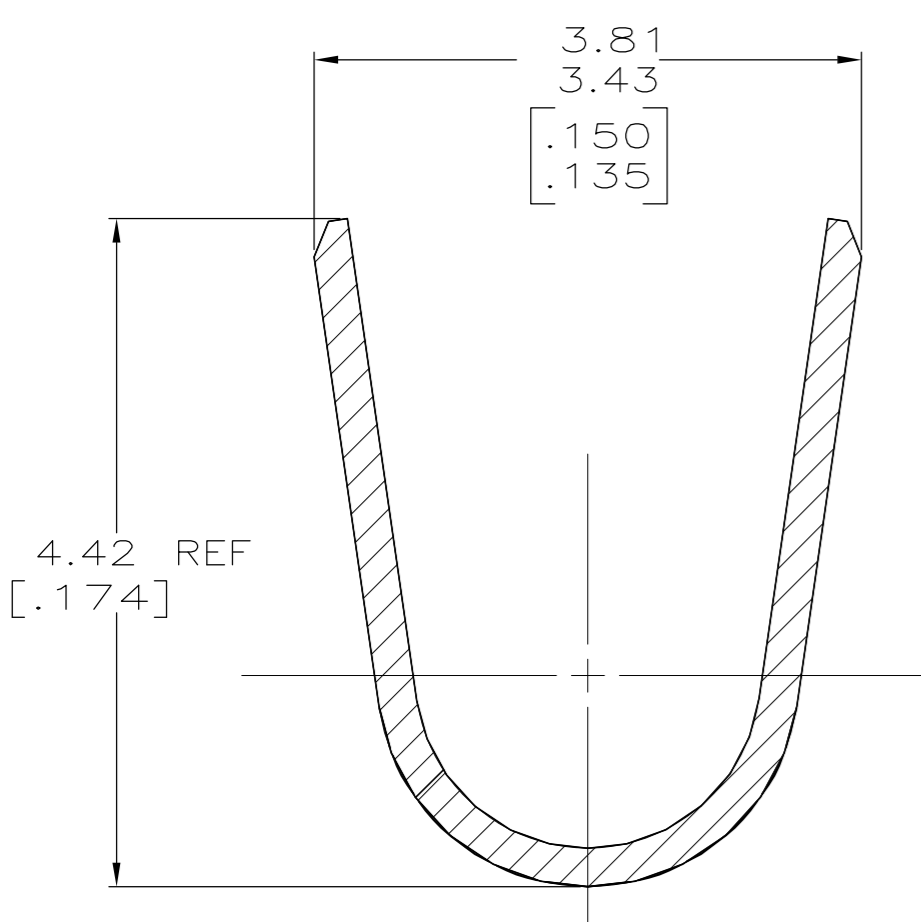
LOC		DIST		REVISIONS				
P	LTR	DESCRIPTION			DATE	DWN	APVD	
CM	0	H		REVISED PER 003B-0237-05	9/20/05	SS	CJ	
		J		REVISED PER ECR-13-011599	08NOV13	AV	RP	



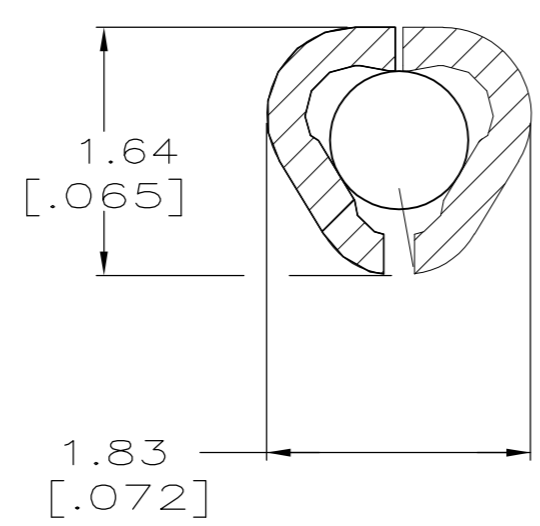
- 1. 0.00076 [.000030] MIN GOLD IN LOCALIZED GOLD PLATE AREA AND 0.00254 [.000100] MIN BRIGHT TIN-LEAD IN LOCALIZED TIN-LEAD PLATE AREA OVER 0.0013 [.000050] MIN NICKEL.
- 2. WIRE RANGE: 0.3 - 0.9MM² (22-18 AWG).
- 3. INSULATION RANGE: 1.50-2.39[.059-.094] DIA.
- 4. DIMENSIONS IN BRACKETS ARE IN INCHES.
- 5. 0.00076 [.000030] MIN GOLD IN LOCALIZED GOLD PLATE AREA AND 0.00254 [.000100] MIN MATTE TIN IN LOCALIZED TIN PLATE AREA OVER 0.0013 [.000050] MIN NICKEL.



SECTION A-A
SCALE 20:1



SECTION B-B
SCALE 20:1



SECTION C-C
SCALE 20:1

5	0.25[.010] BRASS	1-794221-0
1	0.25[.010] BRASS	794221-3
PRE-TIN	0.25[.010] BRASS	794221-1
FINISH	MATERIAL	PART NUMBER

THIS DRAWING IS A CONTROLLED DOCUMENT.		DWN	R. VESTAL	1-15-97	STE TE Connectivity		
DIMENSIONS: mm [INCHES]		CHK	R. SWING	1-15-97			
TOLERANCES UNLESS OTHERWISE SPECIFIED:		APVD	-	-	NAME		
0 PLC ± -		PRODUCT SPEC	-	-	SOCKET, MINI UNIVERSAL MATE-N-LOK 2		
1 PLC ± -		APPLICATION SPEC	-	-	SIZE	CAGE CODE	DRAWING NO
2 PLC ± -		FINISH	SEE TABLE	-	A2	00779	C=794221
3 PLC ± 0.30 [.012]		WEIGHT	-	-	SCALE	SHEET	REV
4 PLC ± -		CUSTOMER DRAWING	-	-	10:1	1 of 1	J
ANGLES ± -							